

Genovations® Railing Installation Instructions- 42" Square, Deluxe Square, & Colonial

T	Measuring Tape
O	Pencil or Marker
O	Handsaw
L	Hacksaw
S	Drill with 1/8" and 5/32" drill bits
	Screwdriver
	Level
	7/16" Socket Wrench

!

WARNING

- To avoid serious eye and hand injuries or blindness, always wear safety glasses and gloves.

6 ft. Section

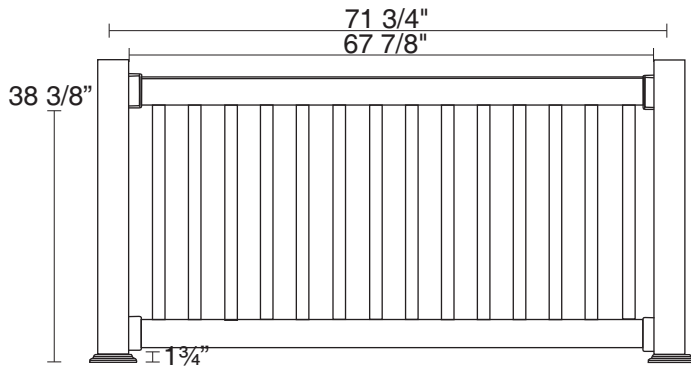


Figure A.1

8 ft. Section

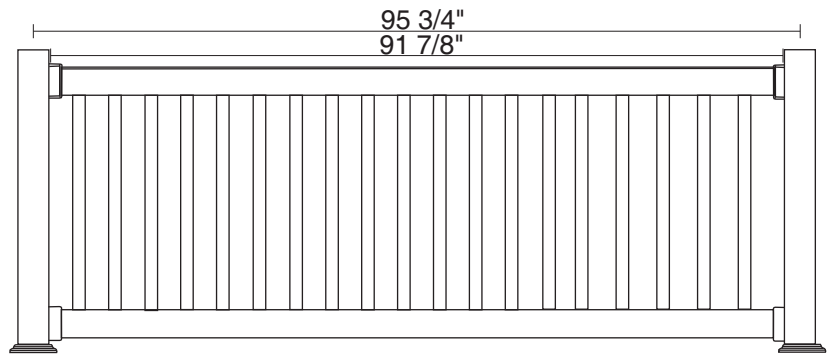
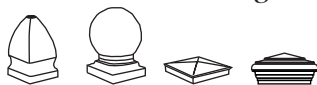


Figure A.2

C O M P O N E N T S			6 ft. Deluxe Square or Colonial	8 ft. Deluxe Square or Colonial	
	6 ft. Square	8 ft. Square			
	2	2	2	2	2" x 4" Vinyl Rails
	-	-	1	1	Colonial Rail Cover
	1	1	1	1	Aluminum P-Channel (Top Rail Insert)
	1	1	1	1	Aluminum Step-Channel (Bottom Rail Insert)
	14	19	14	19	Balusters
	4	4	4	4	Mounting Brackets
	4	4	4	4	Mounting Bracket Covers
8	8	8	8	1/4" x 1 1/2" Lag Screws (attach Brackets to Posts)	
8	8	8	8	#10 x 3/4" Pan Head Sheet Metal Screws (attach P-Channels to Brackets)	

Parts Needed To Assemble Rail Section:

- 4" x 4" x 44" Post Cover
- 4" x 4" Treated Wood Post
- 4" Post Trim Base
- Genova Vinyl Sealant
- Post Tops - Gothic, Ball, Bevel, or New England



Optional Parts Available:

- Bracket Kits to make two shorter sections from one section
- 22 1/2° Angle Rail Adapter Kit
- 45° Angle Rail Adapter Kit
- Square Rail Adapter for Round Column
- Universal Square Rail Adapter Kit



GENERAL INFORMATION

Before starting this project, be sure to consult your local building department for codes and regulations for guardrail installations. Your new railings have been evaluated and quality tested to ensure that they comply with the International Residential Code (IRC) requirements and AC-174 entitled, "Acceptance Criteria for Deck Board Span Ratings and Guardrail Systems" (Guards and Handrails), and have been assigned ICC Evaluation Service Report # ESR-1904. This product is not to be used for commercial installations. This product is not to be used in access ramps for the disabled. This product is not to be used in marine fueling stations. This product is to be used only in exterior applications for residential construction.

INSTALLATION INSTRUCTIONS:

1. Posts

- A. Install wood posts in accordance with building code requirements.
 - 6 Ft. Section - on maximum 71 3/4" centers (+1/4") (See Figures A.1)
 - 8 Ft. Section - on maximum 95 3/4" centers (+1/4") (See Figures A.2)
- B. Cut wood posts to 42" above the deck surface.
- C. Slide the Genova 4" x 44" Post Cover over the treated wood posts.
- D. Install shims between the wood posts and the Post Cover, on all four sides. Strips of plywood or a solid/rigid weather resistant material is recommended as shim stock.
- E. Slide the 4" Post Trim Base over the Post Cover and push it down so it is flush with the deck.

2. Mounting Brackets

- A. Mount all Brackets level and plumb on the vertical centerline of the vinyl covered posts.
 - The bottom side of the Bottom Brackets should be 1 3/4" from the deck surface. (See Figure B)
 - The bottom side of the Upper Brackets should be 38 3/8" from the deck surface. (See Figure B)
- B. Attach the Mounting Brackets to the Posts using two 1/4" x 1 1/2" Lag Screws per Bracket. Pre-drill holes with 1/8" drill bit.

3. Rails

- A. Measure the distance between the "INSERT TO HERE" windows in the top Mounting Brackets (hook the measuring tape onto one window and measure the distance to the opposite window). Cut, if necessary, the Aluminum P-Channel Rail Insert to this length.
- B. Measure the distance between the "INSERT TO HERE" windows in the bottom Mounting Brackets. Cut, if necessary, the Aluminum Step-Channel Rail Insert to this length.
- C. Cut the 2" x 4" Vinyl Rails 1-3/8" shorter than the corresponding Aluminum Inserts. Cut equal amounts from each end to maintain symmetric Baluster spacing. Do not cut through a routed hole. If necessary, cut more from one end and less from the other to maintain the desired overall length.
- D. **Deluxe Square and Colonial Sections Only.**- Cut the Colonial Rail Cover to the same length as the top Vinyl Rail. Apply a generous bead of Genova Vinyl Sealant down the center and on the sides of the trough portion of the Colonial Rail Cover. Insert the 2" x 4" Rail in the trough so the routed Baluster holes are visible (opposite and away from the Colonial Rail Cover.) Square up the ends and clamp both pieces together. Wipe off any excess Sealant. Allow the Sealant to set approximately 30 minutes before continuing.

4. Section Assembly

- A. Lay Vinyl Rails on a clean flat surface, with the Baluster holes facing each other. Insert the Aluminum P-Channel Rail Insert into the top Vinyl Rail. The long leg of the Aluminum P-Channel Rail Insert must point down and toward the holes. (See Figure C)
- B. Insert the Aluminum Step-Channel into the bottom Vinyl Rail. The long leg of the Aluminum Step-Channel must point up and toward the holes. The long legs of both Aluminum Inserts must be on the same side of the holes. (See Figure C)
- C. Orient the balusters between the Rails so the notches face either end of the rail. (See Figure C) Push the Balusters into the routed holes until the notches lock into place.
- D. Slide the Mounting Bracket Covers over the ends of the Vinyl Rails with the notched ends on the bottom and facing toward the Balusters. (To accommodate a close Baluster rotate the Bottom Bracket Cover so the notched side faces up. If necessary, split the cover and glue together after installation.)
- E. Slide the assembled rail section into the Mounting Brackets, ensuring that the long legs of the Aluminum Inserts face the inside of the deck. Center the assembly by aligning the Aluminum Inserts with the "INSERT TO HERE" windows in the brackets. The Aluminum Inserts should extend 11/16" beyond the Vinyl Rail at each end.
- F. Locate the "Scribe Lines" in the center of the elongated holes on the Mounting Brackets. Drill 5/32" diameter holes through the long legs of the Aluminum Rail Inserts at these locations (2 per bracket). (See Figure D)
- G. Secure the Aluminum Rail Inserts to the Mounting Brackets, using #10 x 3/4" Pan Head Sheet Metal Screws in each of the holes. **CAUTION: Do not over tighten the screws.**
- H. Slide the Mounting Bracket Covers over the Mounting Brackets until they snap into place.
- I. Apply Genova Vinyl Sealant to the inside flat surfaces of the Post Tops and attach them to the Post Covers.

Figure B

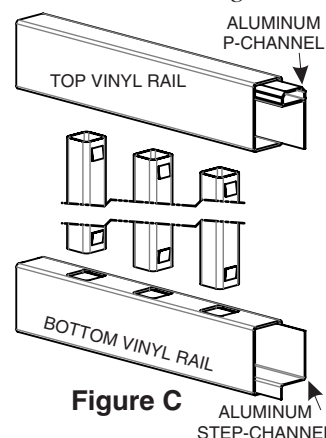
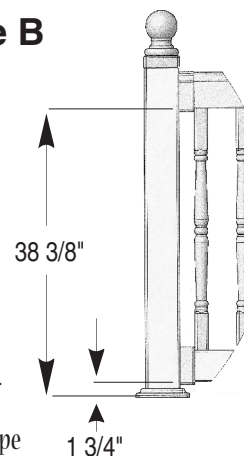


Figure C

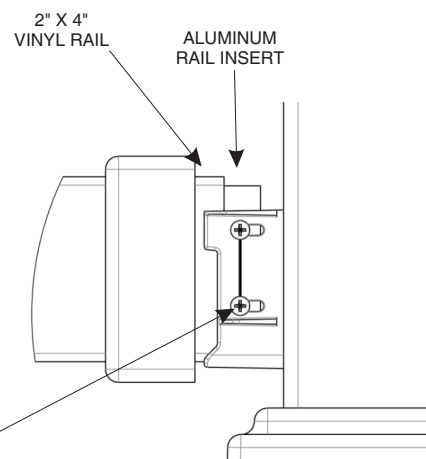


Figure D