

Vinyl Fence in-a-box

Closed Classic Picket Gate

Part # FGK272-White

Part # FGK272A-Tan

Kit Contains

- 2 2" x 4" x 50-1/2" Side Routed Mitered Rails
- 1 2" x 4" x 39-3/4" Top Routed Mitered Rail
- 1 2" x 6" x 39-3/4" Bottom Routed Mitered Rail
- 1 3" Spacer (Top)
- 1 5" Spacer (Bottom)
- 7 Boards
- 2 2" x 4" Rail Couplers
- 2 2" x 6" Rail Couplers
- 1 Magnetic Safety Gate Latch
- 2 Self-Closing Hinges
- 2 Gate Stops
- 60 Screw Covers
- 72 1-1/4" Stainless Steel Phillips Pan Head Screws
- 8 1/4" • 20 x 2 1/4" Stainless Steel Phillips Pan Head Machine Screws, Flat Washers and Lock Nuts

Parts Needed but Not Included

Genova Vinyl Adhesive

NOTE: YOU SHOULD WEAR SAFETY GLASSES AND GLOVES WHEN WORKING WITH THIS PRODUCT. WHEN USING THE GATE TO ENCLOSE A POOL, MAKE SURE THAT THE GATE OPENS OUTWARD, AWAY FROM THE POOL.

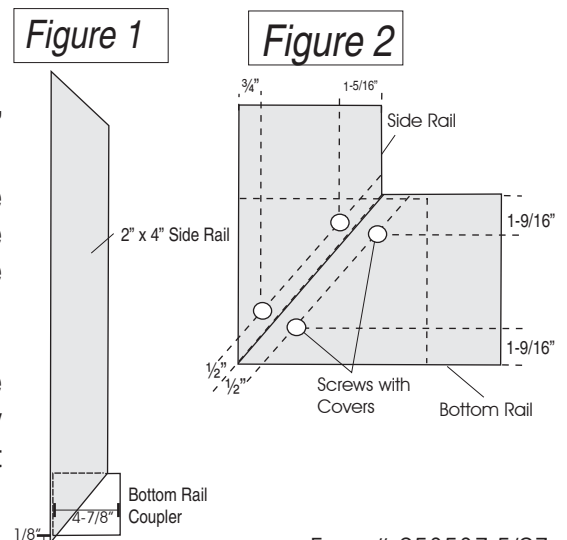
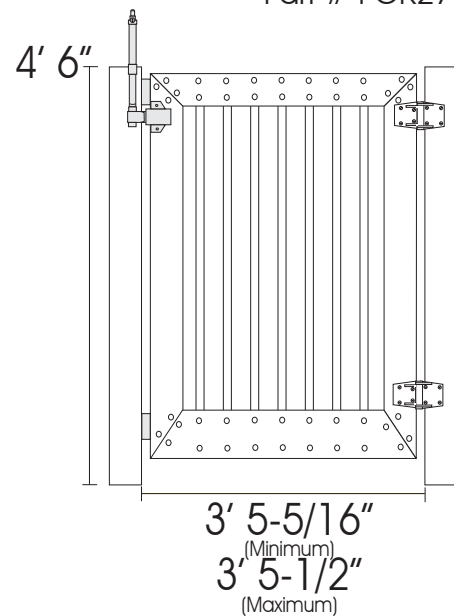
Genova Vinyl Fence exceeds national building code requirements. Building codes vary in different areas so be sure to consult your local building department for codes and regulations for fence installations.

Project Preparation

- Construct Gate Kit with pieces lying on a flat surface.
- A dry fit pre-assembly is recommended, so to avoid incorrectly solvent welding components together.
- Genova recommends reinforcing the End Gate Posts with 8' long 4" x 4" wood posts. Before burying the wood posts notch the wood so the Rails can slide into the routed holes in the Vinyl Post. Cut off the bottom of the Vinyl End Posts and slide them over the wood post. You may need to shave the corners off of the 4" x 4" wood post to get it to slide into the Vinyl Post. A table saw set on a 45° angle works well for doing this.

Installation Instructions

1. Set gate posts a minimum of 41-5/16" and a maximum of 41-1/2" apart, measured inside to inside.
2. Apply a small amount of Genova Vinyl Adhesive to the inside of the bottom end of one Side Rail. Slide the 2" x 6" Rail Coupler into the end of the Rail so that it is approximately 1/8" from the end of the Rail. (See Figure 1)
3. On the end of the Side Rail that contains the glued Rail Coupler, mark and drill two 1/8" holes approximately 3/4" deep on each side of the Rail. (See Figure 2) The holes on one side should be slightly offset from the holes on the opposite side so that the screws do not



Contact Genova Products with any questions:
 (800) 521-7488 or email inquiries@genovaproducts.com

Form# 253537 5/07

Vinyl Fence in-a-box

Closed Classic Picket Gate

Part # FGK272-White
Part # FGK272A-Tan

Installation Instructions (Continued)

- hit each other. Screw (4) 1-1/4" Pan Head Screws with Screw Covers into the pre-drilled holes.
4. Repeat steps 2 and 3 with the other Side Rail.
 5. Apply a small amount of Genova Vinyl Adhesive to the inside of one end of the Bottom Rail. Slide the Bottom Rail over the Rail Coupler and press the Bottom Rail and Side Rail together to make a tight seam. Repeat step 3 on each side of the Bottom Rail with (4) 1-1/4" Screws and Screw Covers.
 6. Slide the Boards into the Bottom Rail.
 7. Slide the Bottom Spacer into the Bottom Rail, keeping the Spacer in front of the Boards.
 8. Apply a small amount of Genova Vinyl Adhesive to the inside of one end of the Top Rail. Slide the 2" x 4" Rail Coupler into the end of the Rail so that it is approximately 1/8" from the end of the Rail. Repeat step 3, securing the Coupler to the Top Rail with (4) 1-1/4" Pan Head Screws and Screw Covers.
 9. Apply a small amount of Genova Vinyl Adhesive to the inside of the top end of the Side Rail that is connected to the Bottom Rail. Slide the Top Rail onto the Side Rail and the Boards. Repeat step 3 on each side of the Top Rail with (4) 1-1/4" Pan Head Screws and Screw Covers.
 10. Slide the Top Spacer into the Top Rail, keeping the Spacer in front of the Boards.
 11. Repeat steps 2 & 3 with the 2" x 4" Top Rail Coupler and the other Side Rail.
 12. Apply a small amount of Genova Vinyl Adhesive to the Couplers that are protruding from the Side Rail. Slide the Side Rail into place and secure the corners in the same manner as the other Side Rail. A long bar clamp or another person may be helpful in order to pull the ends of the Rails together to make a tight seam.
 13. To secure one board, screw (2) 1-1/4" Pan Head Screws with Covers into the Bottom Rail, penetrating the Spacer and the Board. Then screw (2) 1-1/4" Pan Head Screws with Covers into the Top Rail. Repeat this process with all remaining Boards and (24) 1-1/4" Pan Head Screws with Covers.
 14. Install the Hinges as close to the top and bottom of the gate as possible. Use the (8) 1/4" Machine Screws, Flat Washers and Lock Nuts to secure the hinges to the gate. Set the gate with Hinges attached against the Post, making sure the gate is at the same level as the fence sections. Attach the Hinges to the Post with (8) 1-1/4" Pan Head Screws.
 15. Install the Latch System as per the instructions provided with the Latch, making sure the release knob on the Latch is 58" above the bottom of the Bottom Rail on the gate.
 16. After completing the gate installation, close the gate so that the Latch has engaged. Place the Gate Stop against the Post and gate at the desired top location. Mark the two screw holes on the Post with a pencil. Open the gate and screw the Gate Stop onto the post using (2) 1-1/4" Pan Head Screws. Repeat this process with the other Gate Stop and remaining (2) 1-1/4" Pan Head Screws, positioning it at the bottom of the gate.