

Vinyl Fence in-a-box

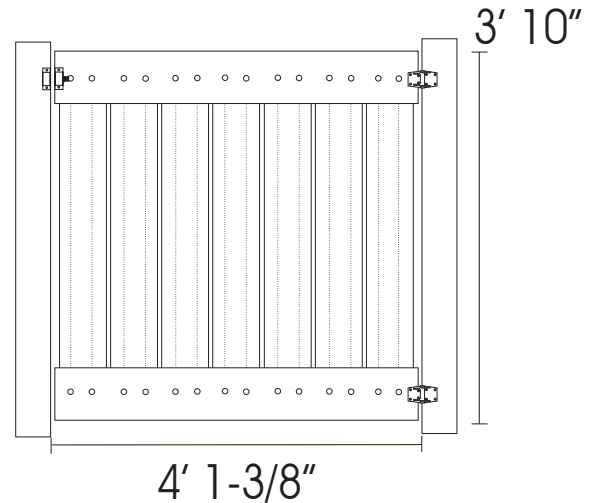
Semi-Privacy Gate

Part # FGV111-White

Part # FGV111A-Tan

Kit Contains

- 1 2" x 6" Top Routed Rail
- 1 2" x 6" Bottom Routed Rail
- 2 5" Spacers (Top & Bottom)
- 4 2" x 6" Rail Caps
- 7 Boards
- 2 Hinges
- 1 Latch (2 pieces)
- 2 Gate Stops
- 32 Screw Covers
- 44 1 1/4" Stainless Steel Phillips Pan Head Screws
- 8 1/4" • 20 x 2 1/4" Stainless Steel Phillips Pan Head Machine Screws, Flat Washers, & Lock Nuts



Parts Needed but Not Included

Genova Vinyl Adhesive

NOTE: YOU SHOULD WEAR SAFETY GLASSES AND GLOVES WHEN WORKING WITH THIS PRODUCT.

Genova Vinyl Fence exceeds national building code requirements. Building codes vary in different areas so be sure to consult your local building department for codes and regulations for fence installations.

Project Preparation

- Construct Gate Kit with pieces lying on a flat surface.
- Genova recommends reinforcing the End Gate Posts with 6' long 4" x 4" wood posts. Before burying the wood posts notch the wood so the Rails can slide into the routed holes in the Vinyl Post. Cut off the bottom of the Vinyl End Posts and slide them over the wood post. You may need to shave the corners off of the 4" x 4" wood post to get it to slide into the Vinyl Post. A table saw set on a 45° angle works well for doing this.

Installation Instructions

1. Set the Gate Posts 49-3/8" apart, measured inside to inside. (The Rails may be cut to make a smaller gate if desired. Cut equal distances off both ends of the Rails to measure a total of 1-1/8" shorter than the distance between the Gate Posts. Cut both Spacers 1" shorter than the Rails.)
2. Lay Rails on a clean flat surface, with the routed holes facing each other. Insert Boards, notched end down, into the Bottom Rail. Slide the Top Rail onto the Boards. Insert one Spacer into the Bottom Rail and the other Spacer into the Top Rail, making sure the Spacers stay above the Boards. Square the Boards with the Rails and cinch the section together with a rope, making sure the Boards and Rails make a tight fit.
3. To secure one end Board, screw two 1 1/4" Screws with Covers (one next to the other) into the Bottom Rail penetrating the Spacer and the Board. Then screw two 1 1/4" Screws with Covers into the Top Rail penetrating the Spacer and the Board (see illustration). Repeat this process with the other end Board, then all remaining Boards.
4. Attach Rail Caps and secure with Genova Vinyl Adhesive.

Contact Genova Products with any questions:
(800) 521-7488 or email inquiries@genovaproducts.com

Form# 253530 5/07

Vinyl Fence in-a-box

Semi-Privacy Gate

Part # FGV1111-White
Part # FGV1111A-Tan

Installation Instructions (Continued)

5. Use the (8) Machine Screws, Washers, and Lock Nuts to secure the Hinges to the middle of the Top and Bottom Rails. Use the 1 1/4" Screws to attach 1 piece of the Latch to the Top Rail and the gate Hinges to the Post. Line up the other piece of the Latch and secure it to the Post with screws included.
6. After completing the gate installation, close the gate so that the Magnetic Latch has engaged. Place the Gate Stop against the Post and gate at the same level as the Gate Latch. Mark the two screw holes on the post with a pencil. Open the gate and screw the Gate Stop onto the Post using the 1 1/4" Screws. Repeat this process with the other Gate Stop, positioning it at the bottom of the gate.