

Vinyl Fence in-a-box

Lattice Top Privacy Gate

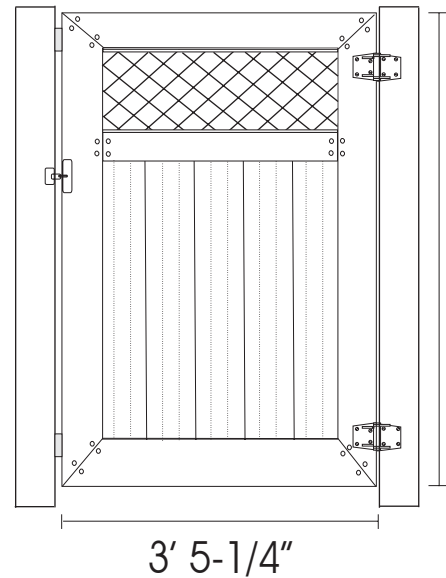
Part # FGL100-White

Part # FGL100A-Tan

5' 8-1/2"

Kit Contains

- | | | |
|----|----|--|
| 1 | 1 | 2" x 6" x 39-3/4" Bottom Ribbed, Routed, Mitered Rail |
| 2 | 1 | 2" x 6" x 38-3/4" Middle Routed Rail w/ attached U-Channel |
| 3 | 1 | 2" x 4" x 39-3/4" Top Mitered Rail w/ attached U-Channel |
| 4 | 2 | 2" x 6" x 68-1/2" Side Ribbed, Routed, Mitered Rails |
| 5 | 5 | Boards |
| 6 | 2 | 1-3/16" x 5-1/4" x 4-7/8" Bottom Rail Couplers |
| 7 | 2 | 1-3/16" x 3-1/4" x 8-7/8" Middle Rail Couplers |
| 8 | 2 | 1-3/16" x 3-1/4" x 4-7/8" Top Rail Couplers |
| 9 | 1 | 28-3/4" x 11-11/16" Privacy Lattice |
| 10 | 2 | Gate Stops |
| 11 | 1 | Locking Latch w/ Hardware |
| 12 | 2 | Hinges |
| | 40 | Screw Covers |
| | 52 | 1-1/4" Stainless Steel Phillips Pan Head Screws |
| | 8 | 1/4"• 20 x 2 1/4" Stainless Steel Phillips Pan Head Machine Screws, Flat Washers and Lock Nuts |



Parts Needed but Not Included

Genova Vinyl Adhesive

NOTE: YOU SHOULD WEAR SAFETY GLASSES AND GLOVES WHEN WORKING WITH THIS PRODUCT.

Genova Vinyl Fence exceeds national building code requirements. Building codes vary in different areas so be sure to consult your local building department for codes and regulations for fence installations.

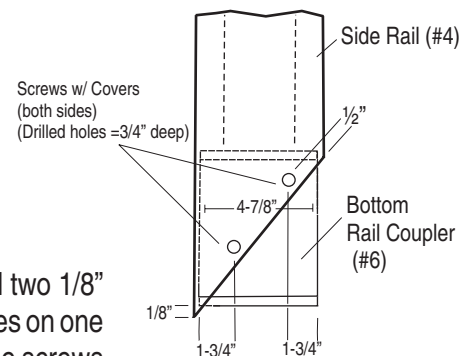
Project Preparation

- Construct Gate Kit with pieces lying on a flat surface.
- A dry fit pre-assembly is recommended, so to avoid incorrectly solvent welding components together.
- Genova recommends reinforcing the End Gate Posts with 8' long 4" x 4" wood posts. Before burying the wood posts notch the wood so the Rails can slide into the routed holes in the Vinyl Post. Cut off the bottom of the Vinyl End Posts and slide them over the wood post. You may need to shave the corners off of the 4" x 4" wood post to get it to slide into the Vinyl Post. A table saw set on a 45° angle works well for doing this.

Installation Instructions

1. Set the gate Posts 41-1/4" apart, measured inside to inside.
2. Apply a small amount of Genova Vinyl Adhesive to the inside of the bottom of one 2" x 6" x 68-1/2" Side Rail (#4). (Note: The bottom of the Side Rail has been mitered at 45°. The 1-3/16" x 2-3/8" pocket must be located near the top of the Side Rail). Then, slide one Bottom Rail Coupler (#6) into the end of the Rail so that it is approximately an 1/8" from the end of the Rail. (See Figure 1)
3. On the end of the Rail that contains the glued Rail Coupler, mark and drill two 1/8" holes, approximately 3/4" deep, on each side of the Side Rail (#4). The holes on one side should be slightly offset from the holes on the opposite side so that the screws do not hit each other. Screw (4) 1-1/4" Pan Head Screws with Screw Covers into the pre-drilled holes. (See Figure 1)

Figure 1



Contact Genova Products with any questions:
(800) 521-7488 or email inquiries@genovaproducts.com

Form# 253520 5/07

Vinyl Fence in-a-box

Lattice Top Privacy Gate

Part # FGL100-White

Part # FGL100A-Tan

Installation Instructions (Continued)

4. Repeat steps 2 & 3 on the other end of the Side Rail (#4), using (1) Top Rail Coupler (#8) and on both ends of the second Side Rail (#4) using (1) Bottom Rail Coupler (#6) and (1) Top Rail Coupler (#8). Secure both sides of all four corners with (12) 1-1/4" Pan Head Screws and Screw Covers. Be sure that all four Couplers have been pushed into the end of their respective Side Rails (#4), so they are approximately an 1/8" from the end of the Rail. (See Figure 1)
5. Apply a small amount of Genova Vinyl Adhesive to the inside of one end of the Middle Rail (#2) and insert the Rail Coupler 1-11/16" into the Middle Rail, securing it with (2) 1-1/4" Pan Head Screws and Screw Covers. (See Figure 2) Repeat this step on the other end of the Middle Rail (#2) using (2) 1-1/4" Pan Head Screws and (2) Screw Covers. It is not necessary to use screws on both sides of this Middle Rail.
6. Apply a small amount of Genova Vinyl Adhesive to the inside of one end of the Bottom Rail (#1). Slide this Rail over the Rail Coupler (#6) that is protruding from the bottom of the Side Rail (#4), and press the Bottom Rail (#1) and the Side Rail (#4) together to make a tight seam. Repeat step 3 on each side of this end of the Bottom Rail (#1), using (4) more of the 1-1/4" Pan Head Screws and Screw Covers. (See Figure 3)
7. Now repeat step 6 for the Top Rail (#3) on the opposite end of the same Side Rail referenced in step 6, using (4) more 1-1/4" Pan Head Screws and Screw Covers.
8. Apply a small amount of Genova Vinyl Adhesive to the Middle Rail Coupler that is protruding from the side of the Middle Rail (#2), and insert it into the routed pocket in this same Side Rail (#4), securing it with (2) 1-1/4" Pan Head Screws and Screw Covers, one side only. (See Figure 2)
9. Slide the Privacy Lattice and Fence Boards into place through the open end of the gate. If the Boards are not flush, turn the Boards 180°, which should result in flush seams.
10. With the Privacy Lattice and Fence Boards in place, attach the other Side Rail (#4). Apply a small amount of Genova Vinyl Adhesive to the inside of the Bottom Rail (#1), the Top Rail (#3) and the middle routed pocket located in the Side Rail (#4). Slide the Side Rail (#4) into place and secure the corners in the same manner as the others, using (8) of the 1-1/4" Pan Head Screws and Screw Covers. (See Figure 3) A long bar clamp, or another person, may be helpful in order to pull the ends of the Bottom and Top Rails together to make tight seams on the corners. Secure the Middle Rail (#2) with (2) 1-1/4" Pan Head Screws and Screw Covers.
11. Install the Hinges (#12) as close to the top and bottom of the gate as possible. Use (8) 1/4" Machine Screws, Flat Washers and Lock Nuts to secure the Hinges to the gate. Set the gate, with Hinges attached, against the Post, making sure the gate is at the same level as the fence sections. Attach the hinges to the Post with (8) 1-1/4" Pan Head Screws.
12. Install the Latch system (#11) as per instructions provided with the Latch.
13. After completing the gate installation, close the gate so that the Latch has engaged. Place (1) Gate Stop (#10) against the Post and gate at the desired upper location. Mark the two screw holes on the Post with a pencil. Open the gate and screw the Gate Stop onto the Post, using (2) 1-1/4" Pan Head Screws. Repeat this process with the other Gate Stop (#10) and remaining (2) 1-1/4" Pan Head Screws, positioning it at the bottom of the gate.

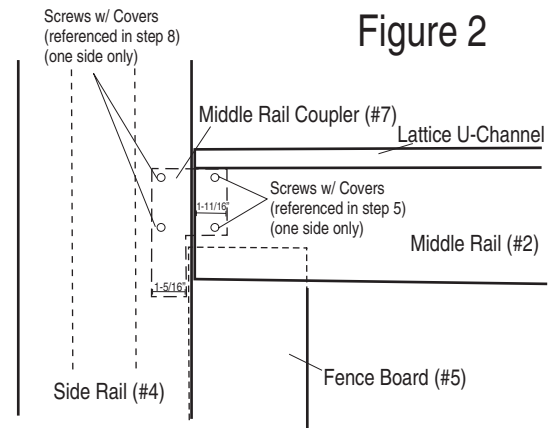
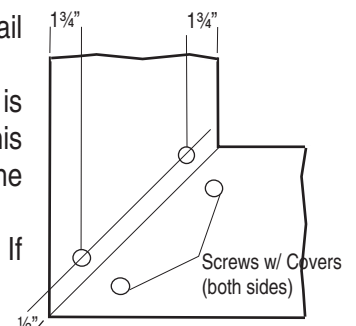


Figure 2

Figure 3



Contact Genova Products with any questions:
 (800) 521-7488 or email inquiries@genovaproducts.com

Form# 253520 5/07