

Vinyl Railing

By Genova

6' Colonial Railing Section - 42" (DW220) Installation Instructions

WARNING

• To avoid serious eye and hand injuries or blindness, always wear safety glasses and gloves.

Kit Contains:

- 2 2" x 4" Rails
- 2 Aluminum P-Channel Rail Inserts
- 14 Colonial Balusters
- 1 Colonial Rail Cover
- 4 Mounting Brackets
- 2 Mounting Bracket Covers
- 2 Colonial Mounting Bracket Covers
- 8 ¼" x 1½" Corrosion Resistant Lag Screws
(used to attach Brackets to Posts)
- 8 #10 x ¾" Corrosion Resistant Pan Head Sheet Metal Screws
(used to attach P-Channels to Brackets)

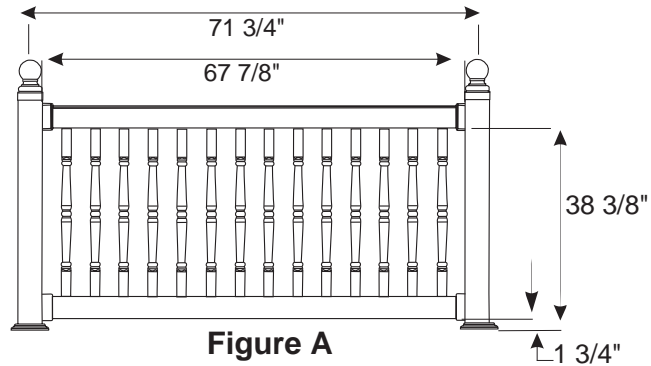


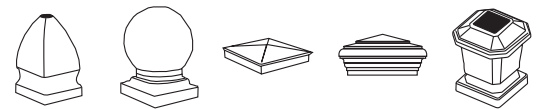
Figure A

Parts Needed To Assemble Rail Section:

- 4" x 44" Post Cover (Part# DW044)
- 4" x 4" x 42" Treated Wood Post
- 4" Post Trim Base (Part# DW012)
- Genova Vinyl Adhesive (Part# AW945)
- Post Tops - Gothic (Part# FW001), Ball (Part# FW002), Bevel (Part# FW003), New England (Part# FW004) or Solar Light (Part# FW006)

Optional Parts Available:

- Bracket Kits to make two shorter sections from one section (DW250)
- 22½° Colonial Angle Rail Adapter Kit (DW260)
- 45° Colonial Angle Rail Adapter Kit (DW270)
- Colonial Rail Adapter for Round Column (DW280)
- Universal Colonial Rail Adapter Kit (DW290)



Tools Required:

Measuring Tape, Pencil or Marker, Handsaw, Hacksaw, Drill with 1/8" and 5/32" drill bits, Screwdriver, Level, Adjustable Wrench, 7/16" Socket, Rope and Clamps.

GENERAL INFORMATION

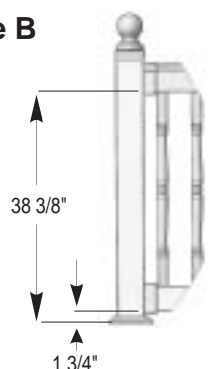
Before starting this project, be sure to consult your local building department for codes and regulations for guardrail installations. Your new railings have been evaluated and quality tested to ensure that they comply with the International Residential Code (IRC) requirements and AC-174 entitled, "Acceptance Criteria for Deck Board Span Ratings and Guardrail Systems" (Guards and Handrails). This product is not to be used for commercial installations. This product is not to be used in access ramps for the disabled. This product is not to be used in marine fueling stations. This product is to be used only in exterior applications for residential construction.

INSTALLATION INSTRUCTIONS:

1. Posts

- A. Install wood posts on 71 ¾" centers ($\pm ¼"$) in accordance with building code requirements. (See Figure A)
- B. Cut wood posts to 42" above the deck surface.
- C. Slide the Genova 4" x 44" Post Cover over the treated wood posts.
- D. Install shims between the wood posts and the Post Cover, on all four sides. Strips of plywood or a solid/rigid weather resistant material is recommended as shim stock.
- E. Slide the 4" Post Trim Base over the Post Cover and push it down so it is flush with the deck.

Figure B



2. Mounting Brackets

- A. Attach the Mounting Brackets to the Posts using two ¼" x 1½" Corrosion Resistant Lag Screws per Bracket. Pre-drill holes with a 1/8" drill bit.
- B. Mount all Brackets level and plumb on the vertical centerline of the vinyl covered posts.
- C. The bottom side of the Bottom Brackets should be 1¾" from the deck surface. (See Figure B)
- D. The bottom side of the Upper Brackets should be 38 3/8" from the deck surface. (See Figure B)

3. Rails

- A. Measure the distance between each two opposing Mounting Bracket "INSERT TO HERE" windows (hook the measuring tape onto one window and measure the distance to the other window).
- B. Cut, if necessary, the Aluminum P-Channel Rail Inserts to this length.
- C. Subtract 1 3/8" from the (cut) Aluminum P-Channel Rail Insert length, and cut, if necessary, the corresponding 2" x 4" Rails and Colonial Rail Cover to that length. When cutting the Rails, cut equal amounts from each end to maintain symmetric Baluster spacing. If the cuts will result in cutting through a routed hole, shift the cuts (cut less from one end and cut more from the opposite end) while maintaining the desired overall length. The distance between the Balusters and the Posts must not exceed 4" for safety purposes.

- D. Lay the Colonial Rail Cover, "U" shape up, on a flat clean surface. Apply a generous bead of Genova Vinyl Adhesive down the center and on the sides of the trough portion of the Colonial Rail Cover. Insert the 2" x 4" Rail in the trough so the routed Baluster holes are visible (opposite and away from the Colonial Rail Cover.) Square up the ends and clamp both pieces together in the center, and on each end. Wipe off any excess adhesive. Allow the adhesive to cure approximately 15 minutes before continuing.

4. Section Assembly

- A. Lay Rails on a clean flat surface, with the routed holes facing each other. Install the Aluminum P-Channel Rail Inserts into the upper and lower Rails. The long leg of the top Aluminum P-Channel Rail Insert must point down or toward the routed holes; the long leg of the bottom Aluminum P-Channel Rail Insert must point up and toward the routed holes. The long legs of the Aluminum P-Channel Rail Inserts must be on the same side and on the inside of the deck.
- B. While the bottom Rail is lying on its side, insert the Colonial Balusters into the routed holes.
- C. While still lying on its side, place the upper Rail over the top of the Balusters, working from one end to the other.
- D. Cinch the rail assembly together using a piece of rope. This will hold the entire assembly together while moving it into place.
- E. Slide the Mounting Bracket Covers and the Colonial Mounting Bracket Covers over the ends of the Rails with the notched ends on the bottom and facing inward toward the balusters. (In order to accommodate a close Baluster, rotate the Bottom Bracket Cover, so the "notched" side faces up. If necessary, split the cover and glue together after installation.)
- F. Lift the entire rail assembly into place between the posts, by setting the Rails with their Aluminum P-Channel Rail Inserts, into the Mounting Brackets with the long legs of the Aluminum P-Channel Rail Inserts facing the inside of the deck. Ensure the Rails and Aluminum P-Channel Rail Inserts are centered from side to side (aligned with the outside edge of both "INSERT TO HERE" windows.)
- G. On both ends of the Aluminum P-Channel Rail Inserts pre-drill two 5/32" diameter holes through the long legs of both Aluminum P-Channel Rail Inserts, through the slot in the Mounting Brackets, using the scribe lines as guides to center the holes. (See Figure C)
- H. Secure the Aluminum P-Channel Rail Inserts to the Mounting Brackets, using #10 x 3/4" Corrosion Resistant Pan Head Sheet Metal Screws in each of the pre-drilled holes.
CAUTION: Do not over tighten the screws.
- I. Slide the Mounting Bracket Covers toward the posts, over the Mounting Brackets, until they snap into place. Remove the rope.
- J. Attach the Post Tops to the Vinyl Post Covers. Apply Genova Vinyl Adhesive to the inside flat surfaces of the Post Top. Avoid putting any adhesive in the corners.

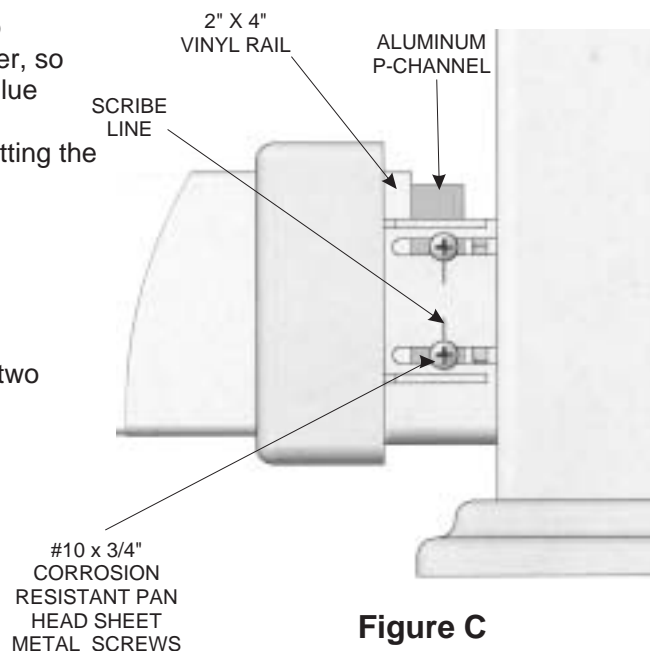


Figure C

Also Available:

Vinyl **Decking**
 Choice
Lattice

Genova
 PRODUCTS

7034 East Court Street • Davison, MI 48423
 810-744-4500 • www.genovaproducts.com

Form# 253515 9/05