

# Vinyl Fence in-a-box

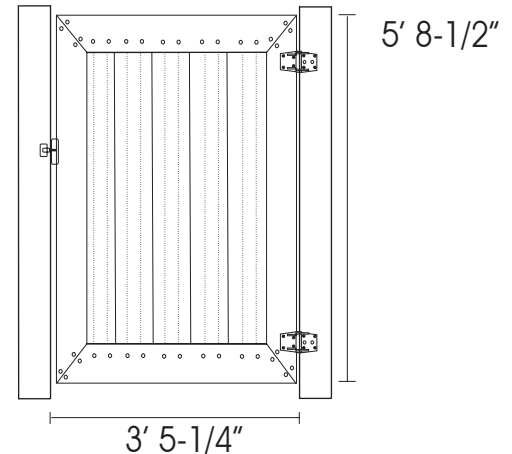
## Privacy Gate

Part # FGV100-White

Part # FGV100A-Tan

### Kit Contains

- 2 2" x 6" x 68-1/2" Side Ribbed, Routed, Mitered Rails
- 2 2" x 6" x 39-3/4" Top & Bottom Ribbed, Routed, Mitered Rails
- 5 Boards
- 4 Rail Couplers
- 1 Locking Latch w/ Hardware
- 2 Hinges
- 2 Gate Stops
- 32 Screw Covers
- 44 1-1/4" Stainless Steel Phillips Pan Head Screws
- 8 1/4" x 20 x 2 1/4" Stainless Steel Phillips Pan Head Machine Screws, Flat Washers and Lock Nuts



### Parts Needed but Not Included

Genova Vinyl Adhesive

**NOTE: YOU SHOULD WEAR SAFETY GLASSES AND GLOVES WHEN WORKING WITH THIS PRODUCT.**

Genova Vinyl Fence exceeds national building code requirements. Building codes vary in different areas so be sure to consult your local building department for codes and regulations for fence installations.

### Project Preparation

- Construct Gate Kit with pieces lying on a flat surface.
- A dry fit pre-assembly is recommended, so to avoid incorrectly solvent welding components together.
- Genova recommends reinforcing the End Gate Posts with 8' long 4" x 4" wood posts. Before burying the wood posts notch the wood so the Rails can slide into the routed holes in the Vinyl Post. Cut off the bottom of the Vinyl End Posts and slide them over the wood post. You may need to shave the corners off of the 4" x 4" wood post to get it to slide into the Vinyl Post. A table saw set on a 45° angle works well for doing this.

### Installation Instructions

1. Set gate posts 41-1/4" apart, measured inside to inside.
2. Apply a small amount of Genova Vinyl Adhesive to the inside of one end of one 68-1/2" Side Rail. Slide the 2" x 6" Rail Coupler into the end of the Rail so that it is approximately 1/8" from the end of the Rail. (See Figure 1)
3. On the end of the Side Rail that contains the glued Rail Coupler, mark and drill two 1/8" holes approximately 3/4" deep on each side of the 68-1/2" Rail. (See Figure 2) The holes on one side should be slightly offset from the holes on the opposite side so that the screws do not hit each other. Screw (4) 1-1/4" Pan Head Screws with Screw Covers into the pre-drilled holes.
4. Repeat steps 2 & 3 on the other end of the Rail and on both ends of the second 68-1/2" Side Rail, using (12) more of the 1-1/4" Pan Head Screws and Screw Covers.
5. Apply a small amount of Genova Vinyl Adhesive to the inside of one end of one 39-3/4" Rail. Slide the Rail over the Coupler and press the 39-3/4" Rail and the 68-1/2" Rail together to make a tight seam. Repeat step 3 on each side of the 39-3/4" Rail. Secure the seam with (4) 1-1/4" Pan Head Screws and Screw Covers.

Contact Genova Products with any questions:

(800) 521-7488 or email [inquiries@genovaproducts.com](mailto:inquiries@genovaproducts.com)

Figure 1

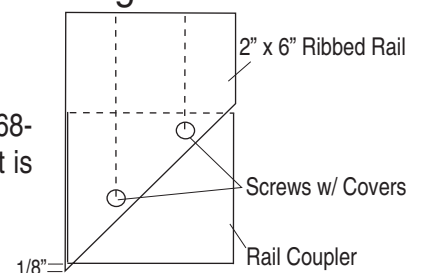
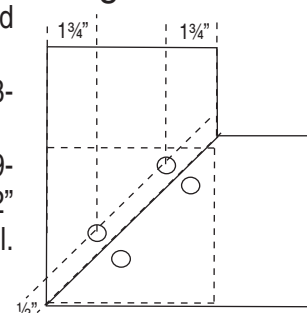


Figure 2



Form# 253505 5/07

### Installation Instructions (Continued)

6. Repeat step 5 with the other 39-3/4" Rail on the opposite end of the same 68-1/2" Rail using (4) more 1-1/4" Pan Head Screws and Screw Covers. (See Figure 2)
7. Slide the Boards in through the open end of the gate. If the seam between the Boards is not flush, turn the Boards 180°, which should result in a flush surface.
8. With all Boards in place, attach the last 68-1/2" Rail. Apply a small amount of Genova Vinyl Adhesive to the inside of both 39-3/4" Rails. Slide the 68-1/2" Rail into place and secure the corners in the same manner as the others, using (8) of the 1-1/4" Pan Head Screws and Screw Covers. A long bar clamp or another person may be helpful in order to pull the ends of the 39-3/4" Rails together to make tight seams on the corners.
9. Install the Hinges as close to the top and bottom of the gate as possible. Use the (8) 1/4" Machine Screws, Flat Washers and Lock Nuts to secure the Hinges to the gate. Set the gate with Hinges attached against the Post, making sure the gate is at the same level as the fence sections. Attach the Hinges to the Post with (8) 1-1/4" Pan Head Screws.
10. Install the Latch System as per the instructions provided with the Latch.
11. After completing the gate installation, close the gate so that the Latch has engaged. Place the Gate Stop against the Post and gate at the desired top location. Mark the two screw holes on the Post with a pencil. Open the gate and screw the Gate Stop onto the post using (2) 1-1/4" Pan Head Screws. Repeat this process with the other Gate Stop and remaining (2) 1-1/4" Pan Head Screws, positioning it at the bottom of the gate.